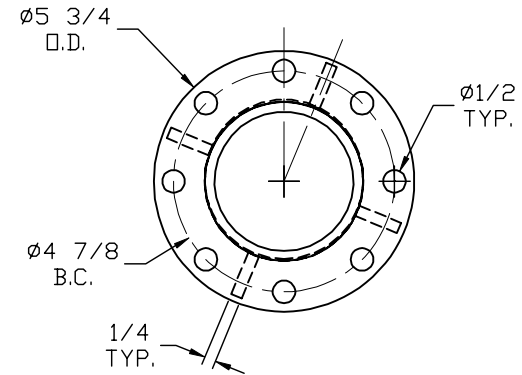
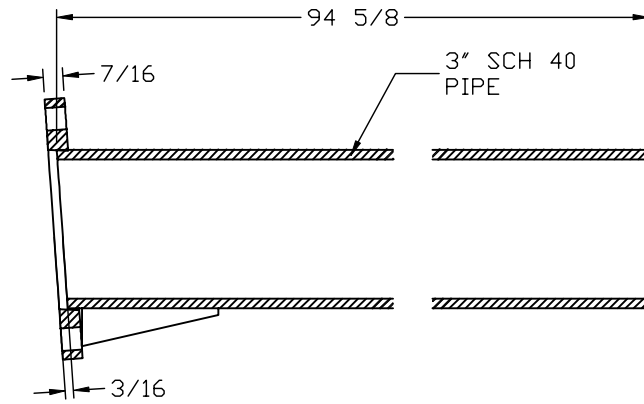


SALES DRAWING



SALES DRAWING

UNLESS OTHERWISE SPECIFIED DIMENSIONAL TOLERANCES		A BRG 11-16-07 ADDED NOTE	
FRACTIONAL	±1/16	REV	BY
X.XX	±0.03	11-16-07	ACC
X.XXX	±0.015		
ANGULAR	±1°		
<small>THE PROP. PROPERTY OF SALCO PRODUCTS, INC. CONTAINS PROPRIETARY INFORMATION AND MUST NOT BE COPIED, REPRODUCED OR USED IN WHOLE OR IN PART WITHOUT THE WRITTEN PERMISSION OF SALCO PRODUCTS, INC.</small>		SALCO PRODUCTS, INC.	
<small>THIRD ANGLE PROJECTION</small>		DRAWN BY: ACC PROJECT # 010215 DRAWING # E17027	CHECKED BY: [] MATERIAL: 6061-T6 OR 6063-T6 ALUMINUM PART NAME: STANDPIPE ASSY 3X94 5/8 AL SCALE: 1:1 APPROVAL DATE: 5-31-02 PROTOTYPE AND DATE: [] PART #: PD3ASP300 APPROVED FOR ACC PRODUCTION